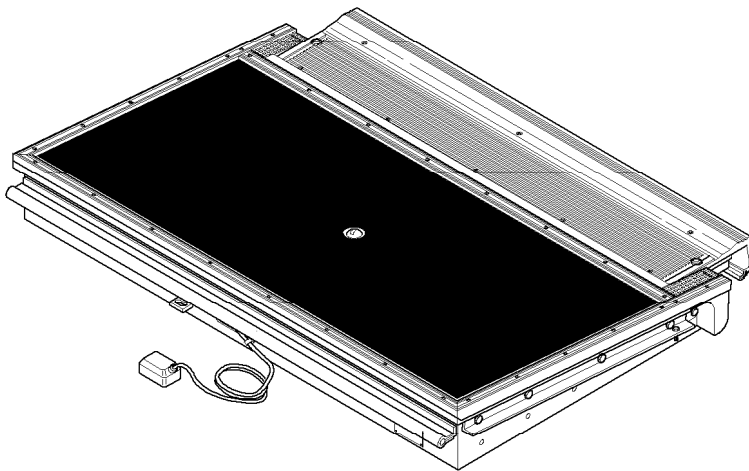


Sliding step



Technical data

Width:	1200	mm
Length:	765	mm
Extended length:	225	mm
Weight:	110	Kg
Extension time:	3-4	s
Voltage:	24	V DC
Power:	0.25	kW

Options

- other voltages on request
- other dimensions on request

General

- low-maintenance version
- self-inhibiting drive
- easy to clean
- emergency actuation function

Summary

When extended, the step can close a flush gap between the vehicle and platform of 225 mm. The end positions are monitored via switches. A power monitor also stops the motion of the step's platform before the end positions are reached.

Footfall contacts ensure that the sliding unit no longer moves once someone steps onto the footplate.